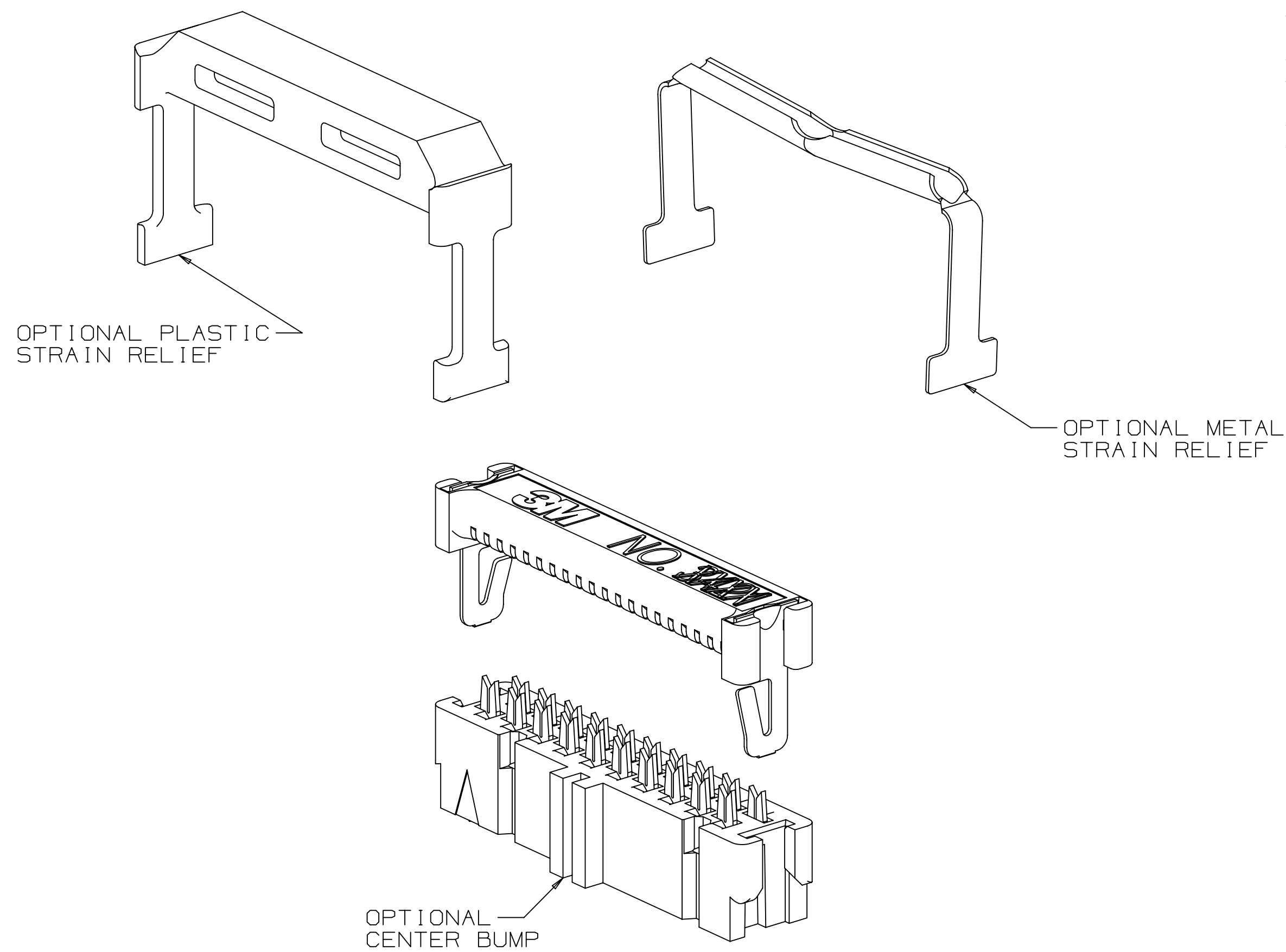


3M™ WIREMOUNT SOCKET, 3000 SERIES
 .100" X .100" FOR .050" PITCH CABLE, (OPTIONAL PLASTIC OR METAL STRAIN RELIEF)



- * INDUSTRY STANDARD IDC SOCKET.
- * POSITIVE LOCKING METAL "J" CLIPS PROVIDE HIGH COVER RETENTION.
- * MATES WITH 3M HEADERS, PLUGS AND PIN STRIPS FOR QUICK CONNECT/DISCONNECT CAPABILITY.
- * OPEN OR CLOSED END COVERS AVAILABLE.
- * ACCEPTS FLAT CABLE OR DISCRETE WIRE.
- * MILITARY POLARIZATION, WITH OR WITHOUT CENTER BUMP.
- * TRANSFER ADHESIVE ON COVERS PROVIDES PRECISION ALIGNMENT BETWEEN CONNECTOR AND CABLES RESULTING IN HIGH YIELD TERMINATIONS.
- * AVAILABILITY OF PULL TAB TO FACILITATE PROPER UNPLUGGING.
- * AVAILABILITY OF 2 TYPES OF STRAIN RELIEF (STANDARD AND LOW PROFILE) TO ISOLATE THE IDC INTERFACE.
- * SET THE STANDARD FOR MIL SPEC AND IEC STANDARDIZATION.
- * AVAILABILITY OF MILITARY AND CENTER BUMP POLARIZATION.

2 PHYSICAL :

INSULATION: MATERIAL: GLASS FILLED POLYESTER (PBT)
 FLAMMABILITY: UL94V-0
 COLOR: GRAY
 CONTACT: MATERIAL: COPPER ALLOY
 J-CLIP: STAINLESS STEEL
 PLATING: UNDER PLATING AND U-SLOT: 100μ" [2.54μm] AVG. NICKEL-OVERALL
 WIPING AREA: 30μ" [0.76μm] AVG. GOLD
 WIRE ACCOMMODATION: 26 AND 28 AWG SOLID AND STRANDED
 MARKINGS: 3M LOGO, PART IDENTIFICATION NUMBER, ORIENTATION TRIANGLE

2 ELECTRICAL :

CURRENT RATING:

	1 LINE	6 ADJACENT LINES	ALL LINES
28 AWG	4.50	1.75	1.00
26 AWG	4.75	2.00	1.00

RATING CONDITIONS: EIA-364-070 METHOD 2, 30°C MAXIMUM TEMPERATURE RISE, 20% DERATED. REFERENCE APPROPRIATE 3M PRODUCT SPECIFICATION FOR CURRENT DERATING CURVES.

INSULATION RESISTANCE: >1 X 10⁹Ω AT 500 V_{DC}
 WITHSTANDING VOLTAGE: 1,000V_{RMS} AT SEA LEVEL

2 ENVIRONMENTAL :

TEMPERATURE RATING: -55°C TO +105°

- NOTES
- REGULATORY INFORMATION: VISIT 3M.com/regs
 - UNLESS OTHERWISE NOTED, REFERENCES TO INDUSTRY SPECIFICATIONS ARE INTENDED TO INDICATE SUBSTANTIAL COMPLIANCE TO THE MATERIAL ELEMENTS OF THE SPECIFICATION. SUCH REFERENCES SHOULD NOT BE CONSTRUED AS A GUARANTEE OF COMPLIANCE TO ALL REQUIREMENTS IN A GIVEN SPECIFICATION.
 - THIS POLARIZING GROOVE IS NON-EXISTENT ON 3863, 3868, 3385 AND 3473 SERIES.
 - THIS POLARIZING GROOVE IS NON-EXISTENT ON 3863 SERIES FOR POLARIZATION OPTION 6.
 - THE LOW PROFILE STRAIN RELIEF CAN BE USED WITH THE 4600 SERIES PLUG AND .100 X .100 HEADERS WITH EJECTOR LATCHES. THE LATCHES WILL ONLY FUNCTION AS AN EJECTOR.
 - TAPERED PIN TIP CONFIGURATION RECOMMENDED.
 - DIMENSION MEASURED AT TIP OF PINS.

ORDERING INFORMATION SOCKETS

XXXX - XXXX

- SOCKET SERIES: (SEE TABLE 1)
- COVER: 6 = OPEN END (FOR DAISY CHANING OR BUSSING)
 7 = CLOSED END (FOR END CABLE TERMINATION) (10 TO 60 POSITION ONLY)
- STRAIN RELIEF:
 00 = NO STRAIN RELIEF
 XX = CONTACT QUANTITY FOR PLASTIC STRAIN RELIEF (10 THRU 60 POSITION) (I.E. 50 FOR A 50 POS)
 05 = PLASTIC STRAIN RELIEF 6 AND 8 POSITION
 06 = METAL STRAIN RELIEF 10 THRU 60 POSITION
- POLARIZATION:
 0 = MILITARY (DUAL SLOT)
 6 = CENTER BUMP AND MILITARY

(ORDER SEPARATELY)
 SEE TS-0720

ORDERING INFORMATION STRAIN RELIEF

3448 - X0XX

- TYPE: 2 = METAL, LOW PROFILE 10 THRU 60 POSITION (SEE NOTE 3)
 3 = PLASTIC
- XX = CONTACT QUANTITY SEE TABLE 1 (I.E. 50 FOR A 50 POSITION STRAIN RELIEF)

ORDERING INFORMATION KEYING PLUG

3435 - 0000

ORDERING INFORMATION PULL TABS

3490 - X

NOTE:
 ASSEMBLY TOOLS:
 3M PRESS (OR EQUIVALENT): 3640
 3M LOCATOR PLATE: 3443-94
 3M PLATTIN: 3442-9

DIMENSIONS: INCHES [MM]
 [MM] IS REF. ONLY

DESIGN REFERENCE	NEXT ASSEMBLY	REV	ECO	ISSUE DATE AND DESCRIPTION	DRFT	CHKD
		ECO		JUN 21, 2021 REVISED AND REDRAWN	JNC	SAN
DO NOT SCALE DRAWING	SCALE 4/1	TOLERANCES EXCEPT AS NOTED				
THIRD ANGLE PROJECTION	INTERPRET PER ASME Y14.5 - 2018	MAX SURFACE ROUGHNESS	TITLE: WIREMOUNT SOCKET, .100" X .100", .050" PITCH CABLE CAGE NUMBER: D78-5100-0718-6 MODEL: 3000			
MARKED ONLY	ANGLES	REV. 1 OF 4				

3M ELECTRONICS MATERIALS SOLUTIONS DIVISION
 INTERCONNECT SOLUTIONS
<http://www.3M.com/interconnect>

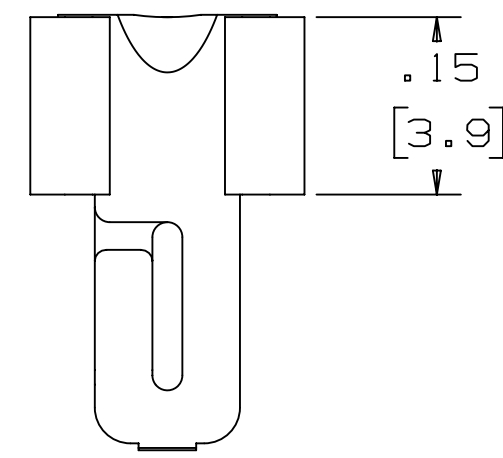
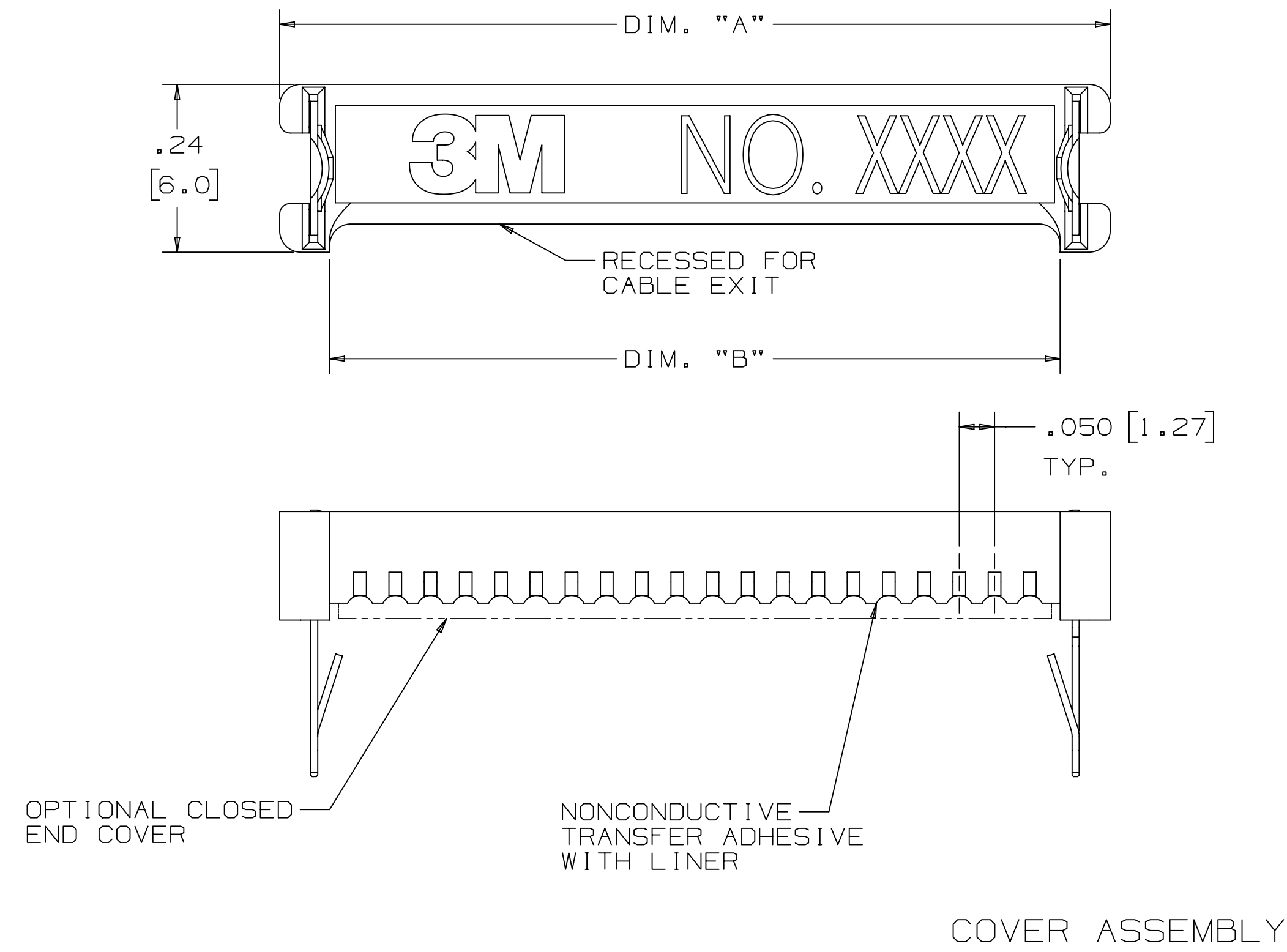
3M IS A TRADEMARK OF 3M COMPANY.
 FOR TECHNICAL, SALES OR ORDERING
 INFORMATION CALL 800-225-5373

us
 UL FILE NO: E68080

78-5100-0718-6 DRAWING NUMBER

A

3M™ WIREMOUNT SOCKET, 3000 SERIES
 .100" X .100" FOR .050" PITCH CABLE, (OPTIONAL PLASTIC OR METAL STRAIN RELIEF)



COVER ASSEMBLY

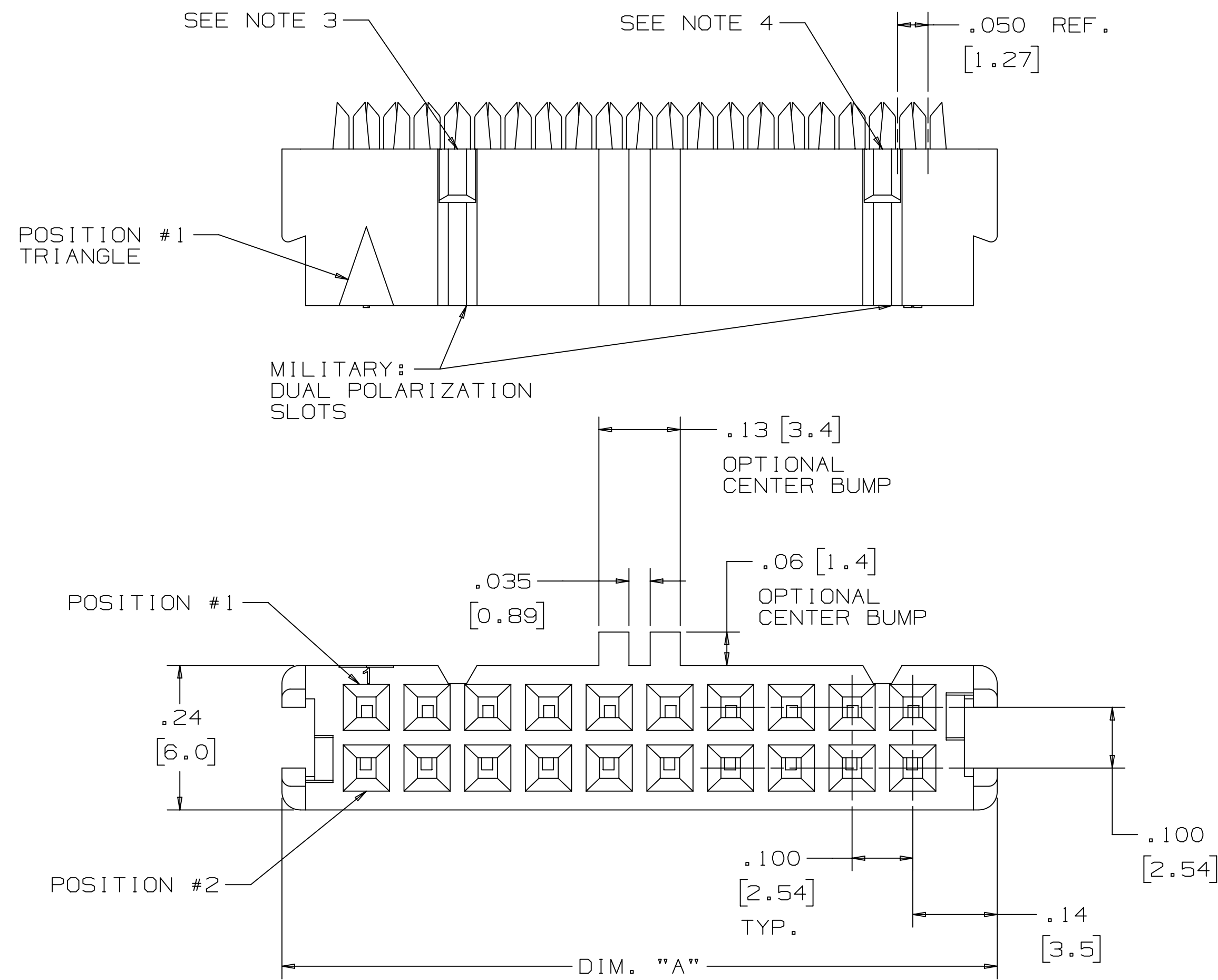


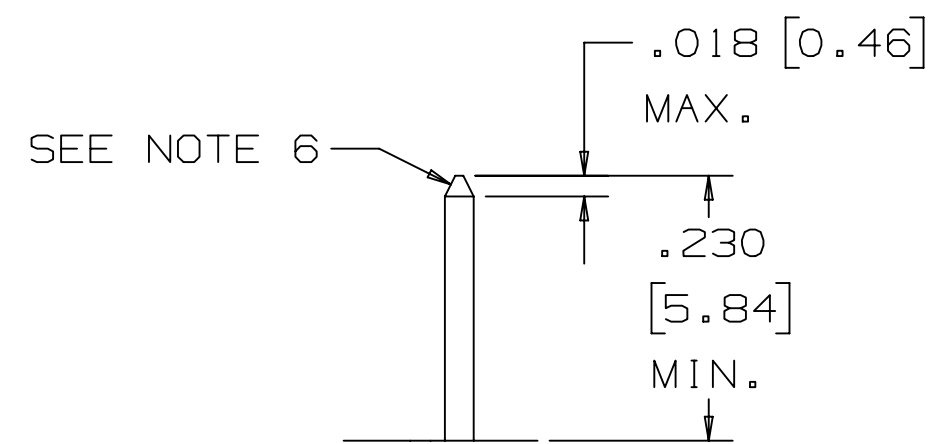
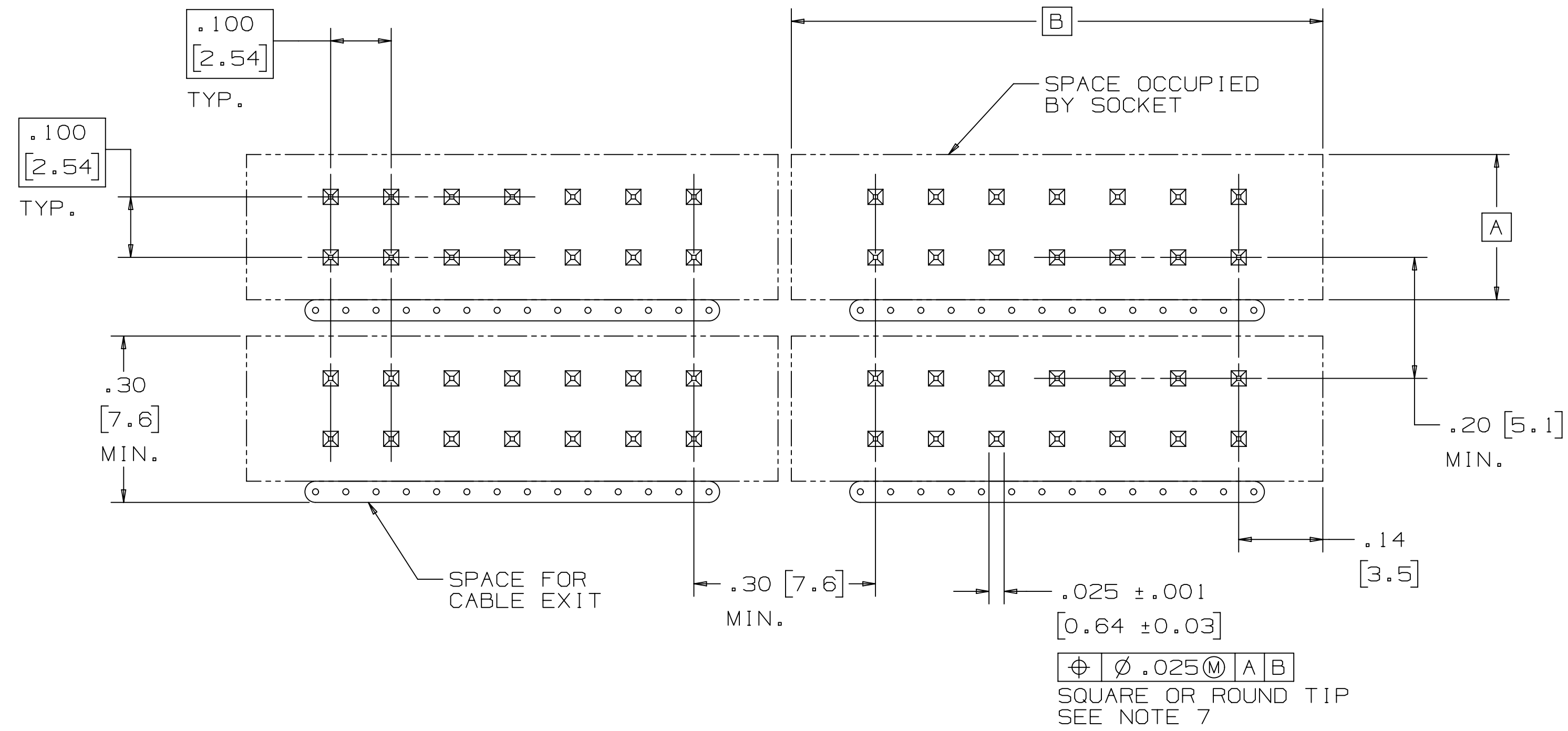
TABLE 1			
CONTACT QTY.	SOCKET SERIES	DIM. "A"	DIM. "B"
06	3863	0.48 [12.2]	0.34 [8.6]
08	3868	0.58 [14.7]	0.44 [11.2]
10	3473	0.68 [17.3]	0.54 [13.7]
14	3385	0.88 [22.4]	0.74 [18.8]
16	3452	0.98 [24.9]	0.84 [21.3]
20	3421	1.18 [30.0]	1.04 [26.4]
24	3626	1.38 [35.1]	1.24 [31.5]
26	3399	1.48 [37.6]	1.34 [34.0]
30	3419	1.68 [42.7]	1.54 [39.1]
34	3414	1.88 [47.8]	1.74 [44.2]
36	9436	1.98 [50.3]	1.84 [46.7]
40	3417	2.18 [55.4]	2.04 [51.8]
44	9444	2.38 [60.5]	2.24 [56.9]
50	3425	2.68 [68.1]	2.54 [64.5]
60	3334	3.18 [80.8]	3.04 [77.2]

DESIGN REFERENCE	NEXT ASSEMBLY	REV	ECO	ISSUE DATE AND DESCRIPTION	DRFT	CHKD
				JUN 21, 2021	JNC	SAN
DIVISION		DIVISION CODE		EMSD		
DO NOT SCALE DRAWING		SCALE		TOLERANCES EXCEPT AS NOTED		
THIRD ANGLE PROJECTION		INCHES		MILLIMETERS		
INTERPRET PER ASME Y14.5 - 2018		.00 ± .01		0 ± .005		
MAX. SURFACE ROUGHNESS		.000 ± .0002		.00 ± .0002		
MARKED ONLY		.00 ± .0002		.00 ± .0002		
CAGE NUMBER		SIZE		DRAWING NO.		
D78-5100-0718-6		D		78-5100-0718-6		
MODEL		3000		REV. G		

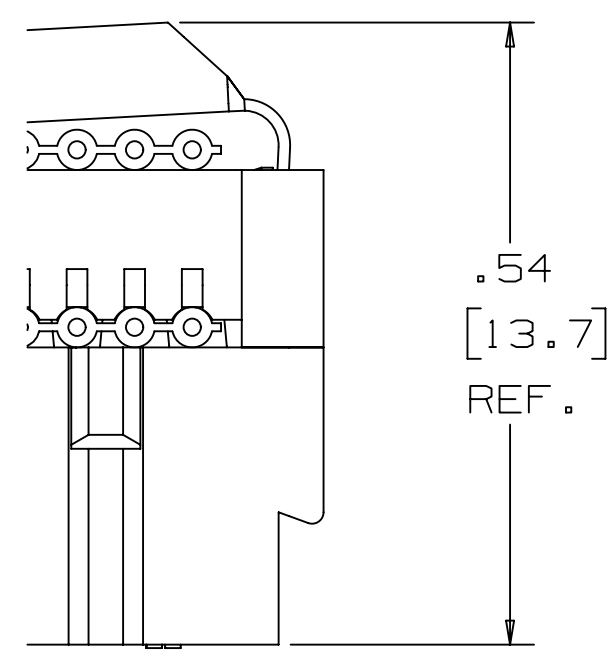
© 3M COPYRIGHT 2021
 This document and the information it contains are 3M property and may not be reproduced or further distributed without 3M permission, or used or disclosed other than for 3M authorized purposes. All rights reserved.

DRAWING NUMBER: 78-5100-0718-6
 REVISION: G

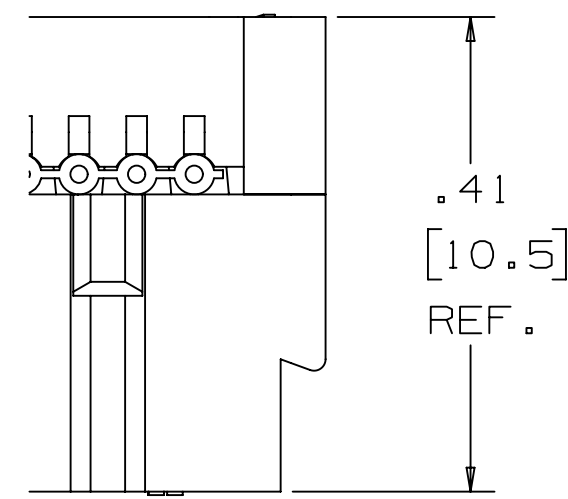
3M™ WIREMOUNT SOCKET, 3000 SERIES
 .100" X .100" FOR .050" PITCH CABLE, (OPTIONAL PLASTIC OR METAL STRAIN RELIEF)



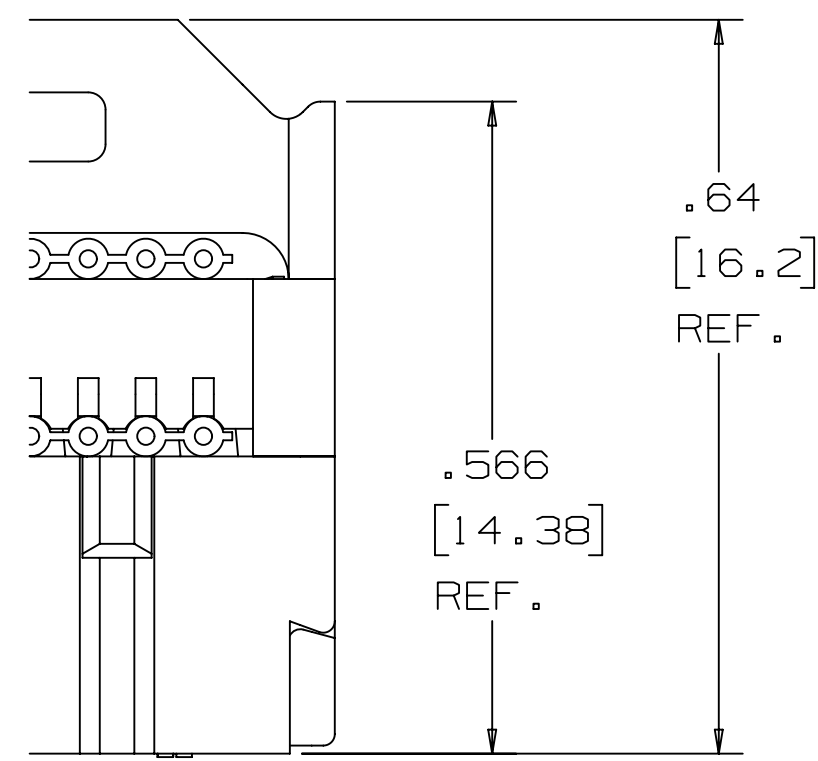
RECOMMENDED PIN PATTERN
 FOR STACKED CONFIGURATIONS



ASSEMBLED HEIGHT
 WITH METAL PROFILE
 STRAIN RELIEF



ASSEMBLED HEIGHT
 WITHOUT STRAIN RELIEF



ASSEMBLED HEIGHT
 WITH PLASTIC
 STRAIN RELIEF

DESIGN REFERENCE		NEXT ASSEMBLY		REV	ECO	ISSUE DATE AND DESCRIPTION	DRFT	CHKD
G 97305		JUN 21, 2021		JNC	SAN	REVISED AND REDRAWN		
DRFT CASTIGLIONE		DATE JUN 21, 2021		MFG	DATE			
CHKD		DATE		APPR	DATE			
DIVISION		DIVISION CODE		© 3M COPYRIGHT 2021 This document and the information it contains are 3M property and may not be reproduced or further distributed without 3M permission, or used or disclosed other than for 3M authorized purposes. All rights reserved.				
EMSD		EMSD		3M Center St. Paul, MN 55144				
DO NOT SCALE DRAWING	SCALE 6/1	TOLERANCES EXCEPT AS NOTED		INCHES .00 ± .01 .000 ± .005 .0000 ± .0002				
THIRD ANGLE PROJECTION		MILLIMETERS		0 ± .00 ± .000 ±				
INTERPRET PER ASME Y14.5 - 2018		MAX. SURFACE ROUGHNESS		ALL SURFACES .000 ±				
MARKED ONLY		ANGLES		CAGE NUMBER D78-5100-0718-6 MODEL 3000 DET. [] YES [] NO SHT 3 OF 4				

3M™ WIREMOUNT SOCKET, 3000 SERIES
 .100" X .100" FOR .050" PITCH CABLE, (OPTIONAL PLASTIC OR METAL STRAIN RELIEF)

Regulatory: For regulatory information about this product, visit 3M.com/regs or contact your 3M representative.

Technical Information: The technical information, recommendations and other statements contained in this document are based upon tests or experience that 3M believes are reliable, but the accuracy or completeness of such information is not guaranteed.

Product Use: Many factors beyond 3M's control and uniquely within user's control can affect the use and performance of a 3M product in a particular application. Given the variety of factors that can affect the use and performance of a 3M product, user is solely responsible for evaluating the 3M product and determining whether it is fit for a particular purpose and suitable for user's method of application.

Warranty, Limited Remedy, and Disclaimer: Unless an additional warranty is specifically stated on the applicable 3M product packaging or product literature, 3M warrants that each 3M product meets the applicable 3M product specification at the time 3M ships the product. 3M MAKES NO OTHER WARRANTIES OR CONDITIONS, EXPRESS OR IMPLIED, INCLUDING, BUT NOT LIMITED TO, ANY IMPLIED WARRANTY OR CONDITION OF MERCHANTABILITY OR FITNESS FOR A PARTICULAR PURPOSE OR ANY IMPLIED WARRANTY OR CONDITION ARISING OUT OF A COURSE OF DEALING, CUSTOM OR USAGE OR TRADE. If the 3M product does not conform to this warranty, then the sole and exclusive remedy is, at 3M's option, replacement of the 3M product or refund of the purchase price.

Limitation of Liability: Except where prohibited by law, 3M will not be liable for any loss or damage arising from the 3M product, whether direct, indirect, special, incidental or consequential, regardless of the legal theory asserted, including warranty, contract, negligence or strict liability.

3M Company
 Electronics Materials Solutions Division
 13011 McCallen Pass, Bldg. C
 Austin, TX 78753-5380
 1-800-225-5373
www.3M.com/interconnect

DESIGN REFERENCE		NEXT ASSEMBLY		REV	ECO	ISSUE DATE AND DESCRIPTION		DRFT	CHKD
G 97305		JUN 21, 2021		JNC	SAN	REVISED AND REDRAWN			
OFFT		DATE		MFG		DATE			
CASTIGLIONE		JUN 21, 2021							
CHKD		DATE		APPRV		DATE			
				S. NEU		JUN 22, 2021			
DIVISION		DIVISION CODE		3M Center		© 3M COPYRIGHT 2021		This document and the information it contains are 3M property and may not be reproduced or further distributed without 3M permission, or used or disclosed other than for 3M authorized purposes. All rights reserved.	
DO NOT SCALE DRAWING		SCALE 8/1		EMSD		St. Paul, MN 55144			
THIRD ANGLE PROJECTION		TOLERANCES EXCEPT AS NOTED		INCHES		MILLIMETERS		TITLE	
INTERPRET PER ASME Y14.5 - 2018		.00 ± .0002		.0 ± .1		0 ±		WIREMOUNT SOCKET, .100" X .100", .050" PITCH CABLE	
MAX SURFACE ROUGHNESS		.00 ±		.00 ±		.00 ±		CAGE NUMBER	
MARKED ONLY		.00 ±		.00 ±		.00 ±		D 78-5100-0718-6	
		.00 ±		.00 ±		.00 ±		DRAWING NO.	
		.00 ±		.00 ±		.00 ±		3000	
		.00 ±		.00 ±		.00 ±		REV.	
		.00 ±		.00 ±		.00 ±		G	
		.00 ±		.00 ±		.00 ±		SHT 4 OF 4	

78-5100-0718-6
DRAWING NUMBER
REVISION

Mouser Electronics

Authorized Distributor

Click to View Pricing, Inventory, Delivery & Lifecycle Information:

[3M:](#)

[3334-7000](#) [3448-3044](#) [3626-7624](#) [9436-6000](#) [3334-7060](#) [3419-7030](#) [3419-7630](#) [9436-6636](#) [9444-6044](#) [3385-6014](#) [3419-6630](#) [3421-7620](#) [3473-7610](#) [3626-6024](#) [3626-6624](#) [3419-6000](#) [3414-7600](#) [3626-6600](#) [3452-6000](#) [3414-7000](#) [3452-6600](#) [3452-7000](#) [3385-7000](#) [3626-6000](#) [3425-7000](#) [3417-6000](#) [3473-7600](#) [3399-6600](#) [3473-6000](#) [3419-7600](#) [3399-7600](#) [3399-6000](#) [3414-6000](#) [3425-6600](#) [3421-7600](#) [3419-6600](#) [3421-6000](#) [3417-7000](#) [3425-6000](#) [3448-3016](#) [3425-7600](#) [3417-6600](#) [3399-7000](#) [3448-3034](#) [3448-3030](#) [3473-6600](#) [3452-7600](#) [3421-7000](#) [3414-6600](#) [3473-7000](#) [3417-7600](#) [3421-6600](#) [3385-6000](#) [3626-7000](#) [3448-3040](#) [3385-7600](#) [3626-7600](#) [3385-6600](#) [3448-3060](#) [3425-7050](#) [3385-7614](#) [3399-7026](#) [3473-6010](#) [3399-6626](#) [3421-6620](#) [3417-6040](#) [3452-6616](#) [3425-6650](#) [3421-7020](#) [3399-6026](#) [3473-6610](#) [3452-6016](#) [3399-7626](#) [3417-7040](#) [3417-6640](#) [3473-7010](#) [3448-3036](#) [3425-6050](#) [3417-7640](#) [3425-7650](#) [3414-7634](#) [3385-6614](#) [3334-6660](#) [3414-6634](#) [3334-7660](#) [3414-7034](#) [3414-6034](#) [3385-7014](#) [3435-0](#) [3421-6020](#) [3452-7616](#) [3334-6000](#) [3334-6600](#) [3334-7600](#) [3868-6000](#)